

NOTE:
SEE SD-P30 FOR ADDITIONAL
SECTIONS AND GENERAL NOTES

Sherman
CLASSIC TOWN. BROAD HORIZON.
ENGINEERING DEPARTMENT

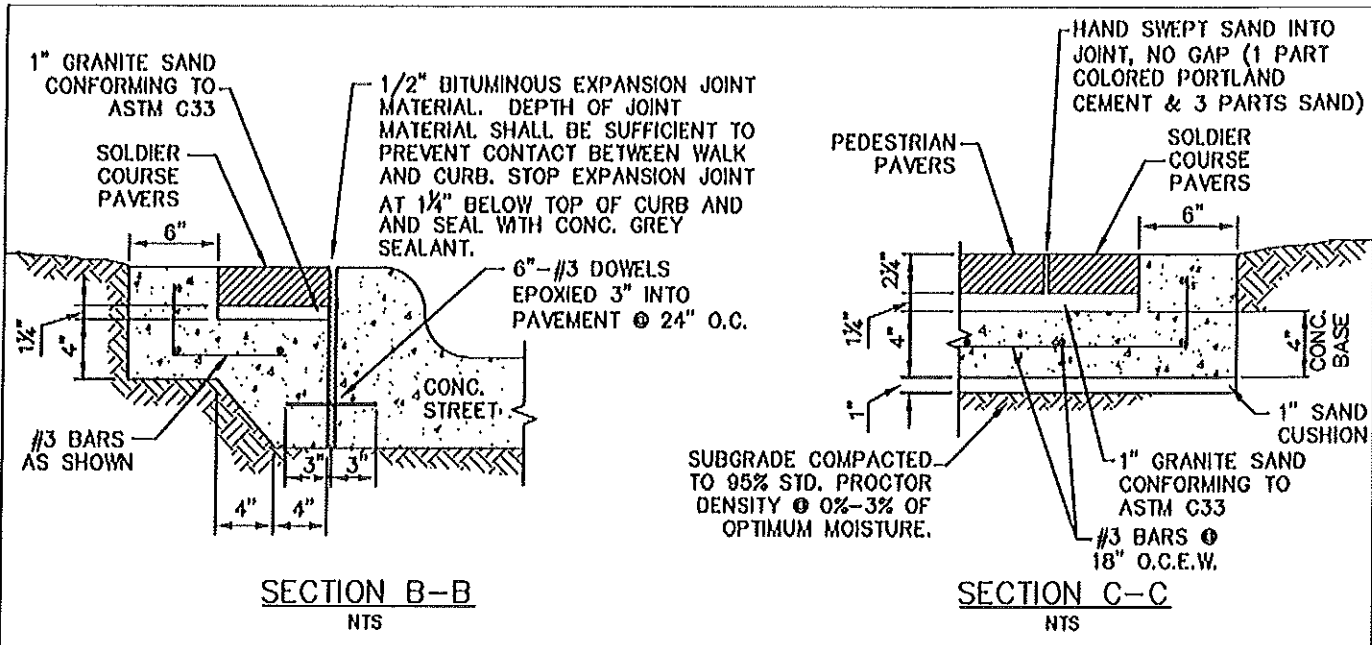
SIDEWALK BRICK PAVERS

STANDARD CONSTRUCTION DETAILS
PAVING

DATE:
OCT, 2013

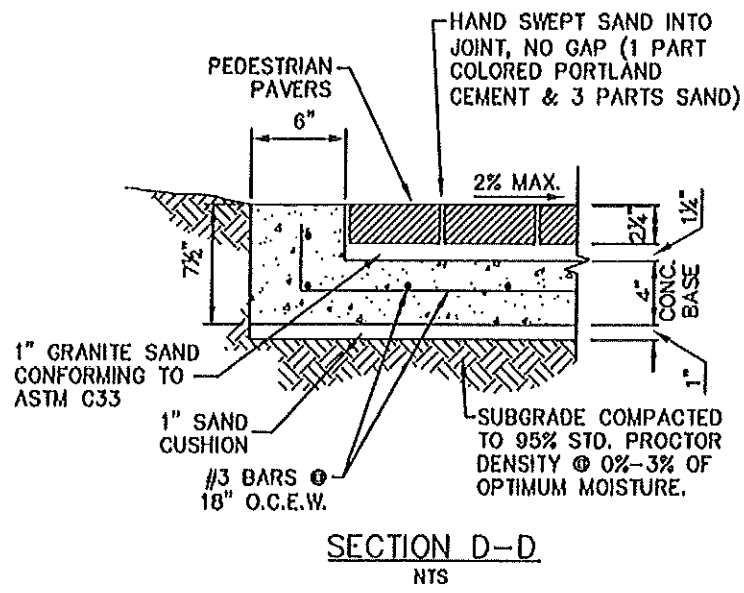
REV DATE:
-

SHEET 1
SD-P30



SECTION B-B
NTS

SECTION C-C
NTS



NOTES:

1. PEDESTRIAN PAVERS AND SOLDIER COURSE PAVERS SHALL BE LIGHT TRAFFIC PAVING BRICK MEETING ASTM C902, CLASS SX, TYPE II, APPLICATION PX, W/ DIMENSIONS (W)4"X(L)8"X(T)2 1/4".
2. PEDESTRIAN PAVERS SHALL BE APPROVED BY THE CITY ENGINEER.
3. PROVIDE BRICK WITHOUT FROGS OR CORES, IN SURFACES EXPOSED TO VIEW IN COMPLETED WORK.

Sherman
CLASSIC TOWN. BROAD HORIZON.
ENGINEERING DEPARTMENT

SIDEWALK BRICK PAVERS
CONTINUED

STANDARD CONSTRUCTION DETAILS
PAVING

DATE: OCT, 2013	REV DATE: -	SHEET: SD-P31
--------------------	----------------	------------------